

AUTOPACK

The AutoPack is the ultimate solution for automating bulk bag packing. Together, the Semi-Automatic Bagger (SAB) and Manter Bag Placer (MBP) combine into the AutoPack and can package from 25 to 100 pounds.

Combining the MBP High Speed (HS) and SAB HS allow the AutoPack to reach speeds up to 19 bags per minute for 50-pound bags. This makes the AutoPack an efficient machine for most bulk bagging applications.



FEATURES

- Automatic, wicketed, bulk bag packing
- Automatically stages bags to place under filling head
- Transforms two semi-automatic machines into an automatic bulk bagger system

ADDITIONAL OPTIONS

Left and right-hand versions available

WEIGHING PARTNERS

- MD14XL
- MD16
- MD16 D
- MD20 D
- M2i V
- M2 XXL

PACKAGE WEIGHT RANGE

25 to 100 pounds

PACKAGE DIMENSIONS

Paper

- Min. (Length + 2 x Width) 17.7”(450mm) x 18.9”(480mm) H
- Max. (Length + 2 x Width) 21.5”(545mm) x 40.6”(1030mm) H

Mesh

- Min. 17.7”(450mm) W x 22”(560mm) H
- Max. 24.4”(620mm) W x 45.3”(1150mm) H

Mesh w/ Closure

- Min. 17.7”(450mm) W x 22”(560mm) H
- Max. 24.4”(620mm) W x 45.3”(1150mm) H

(SAB HS) Mesh, Large (20 – 50 lbs.)

- Min. 17.7”(450mm) W x 22”(560mm) H
- Max. 23.6”(600mm) W x 43.3”(1100mm) H

(SAB HS) Mesh, Small (10 lbs.)

- Min. 12.4”(315mm) W x 22”(560mm) H
- Max. 15”(380mm) W x 43.3”(1100mm) H

CAPACITY / RATE

MBP & SAB

50 pounds at up to 12 bags per minute*

MBP & SAB HS

50 pounds at up to 15 bags per minute*

MBP HS & SAB HS

50 pounds at up to 19 bags per minute*

AIR CONSUMPTION

8 CFM**

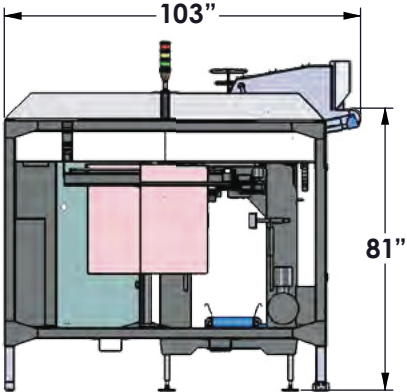
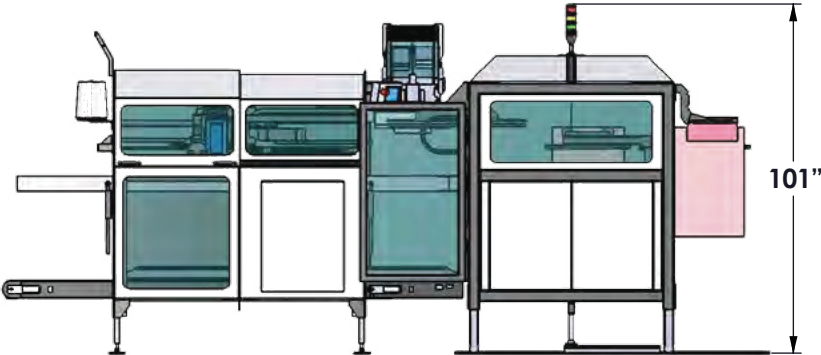
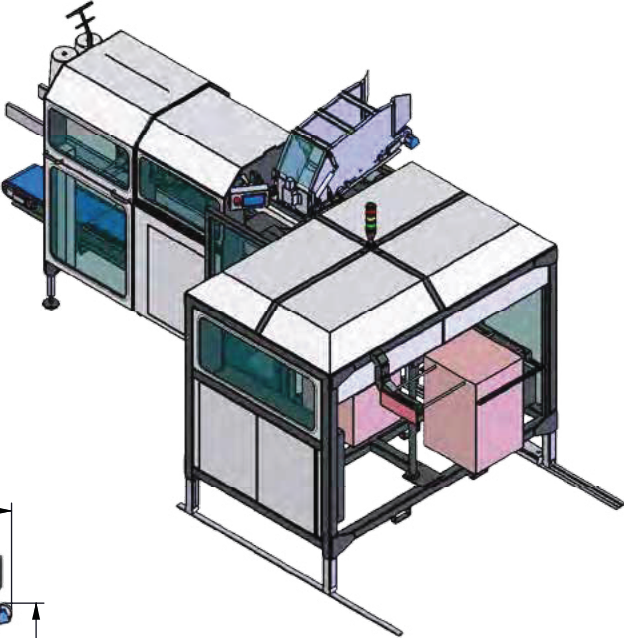
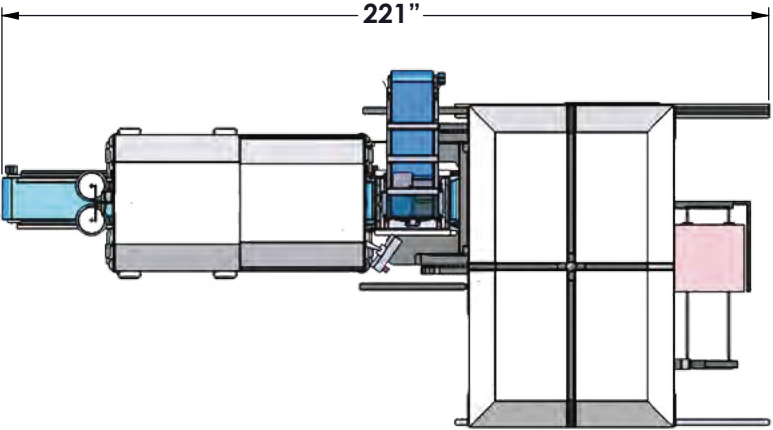
POWER

230 Volt, 3 Phase and Ground

* Depends on product, infeed, and discharge system

** Actual air consumption will increase based on discharge system(s) chosen

AUTOPACK



Measurements are rounded off to the nearest inch.