

## M8 VEG

The M8 Veg is a stainless steel weigher used for peeled, sliced, and diced fruits and vegetables. It is a great addition to any facility that needs wash-down equipment.

The M8 Veg also offers a packing range from 1 to 50 pounds at rates up to 28 bags per minute.

---

### FEATURES

- Eight bucket scales to weigh a variety of products
- High speed computer scans the weights available in all eight buckets and chooses the best combination to provide the most accurate weight
- Strong, stable frame with vibration isolation
- Touchscreen computer
- Two computers for performing diagnostics or maintenance while also operating the weigher
- Operators can save packing styles in the user-friendly program for quick and easy changeovers
- All product contact points are either stainless steel or plastic
- Optional belts instead of standard vibrating lanes
- Optional router for remote assistance

### DISCHARGE OPTIONS

- Single Discharge Belt
- Stainless Steel Funnel Discharge

### PARTNER OPTIONS

Single Wicket Bagger



### PACKAGE SIZE RANGE

1 to 50 pounds

### CAPACITY / RATE

- 5 pounds up to 28 bags per minute\*
- 10 pounds up to 24 bags per minute\*
- 20 pounds up to 14 bags per minute\*
- 50 pounds up to 6 bags per minute\*

### AIR CONSUMPTION

4 CFM\*\*

### POWER

230 Volt, 3 Phase and Ground

### MOST COMMON PRODUCTS

Peeled, sliced, and diced fruits & vegetables

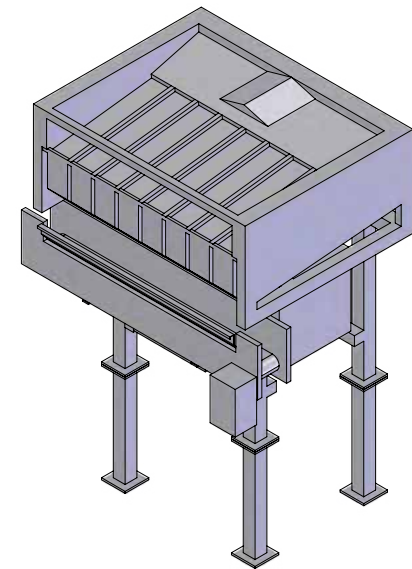
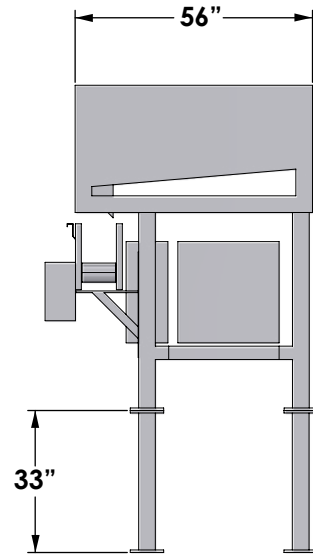
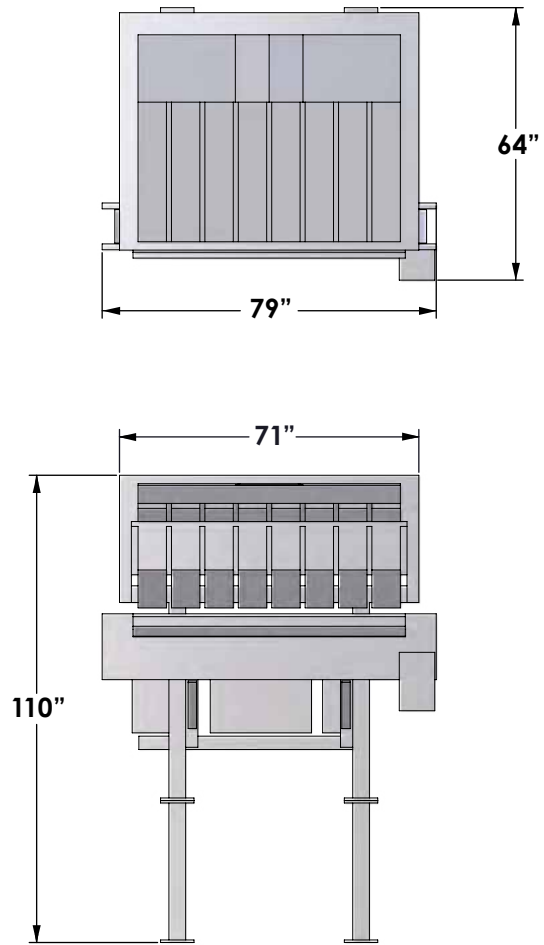
Custom testing available for any product.

---

\* Depends on product, infeed, and discharge system.

\*\* Actual air consumption will increase based on discharge system(s) chosen.

# M8 VEG



Measurements are rounded off to the nearest inch.