

M14 SF

The M14 SF is designed to weigh delicate products such as apples, tomatoes, and plums. It uses soft brushes and padded belts to caress products as they flow through the weigher, keeping them free of bruises. The M14 SF also offers a packing range up to 10 pounds and rates up to 40 bags per minute, making it capable of weighing gently at high speeds.

FEATURES

- 14 soft bucket scales to weigh a variety of produce types
- High speed computer scans the weights available in all 14 buckets and chooses the best combination to provide the most accurate weight
- Strong, stable frame with vibration isolation
- Touchscreen computer
- Two computers for performing diagnostics or maintenance while also operating the weigher
- Operators can save packing styles in a user-friendly program for quick and easy changeovers
- Optional belts available versus vibrating lanes
- Optional router for remote assistance
- All product contact points are either stainless steel or plastic

DISCHARGE OPTIONS

- Soft Fill, Single Discharge Belt
- Soft Fill, Rotating, Double Pintle Belt Flaps
- Soft Fill, Cup Discharge System

PARTNER OPTIONS

- Soft Fill, Single Wicket Bagger
- Soft Fill, Dual Wicket Bagger
- Rollstock Poly Bagger
- Carton Filler



PACKAGE SIZE RANGE

Up to 10 pounds

CAPACITY / RATE

- 1 to 4 pounds up to 40 packages per minute*
- 5 pounds up to 34 packages per minute*
- 10 pounds up to 25 packages per minute*

AIR CONSUMPTION

4 CFM**

POWER

230 Volt, 3 Phase and Ground

MOST COMMON PRODUCTS

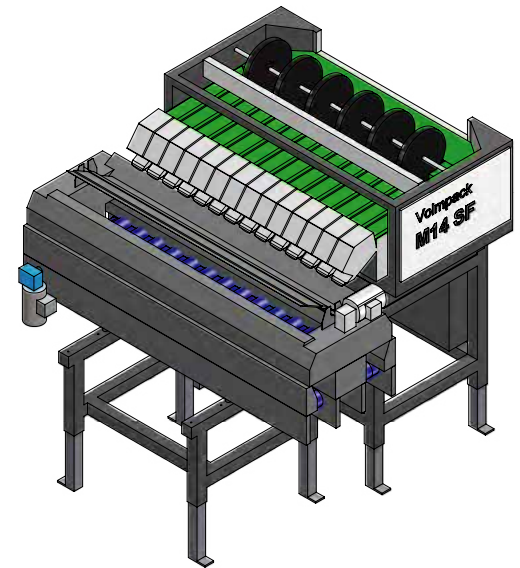
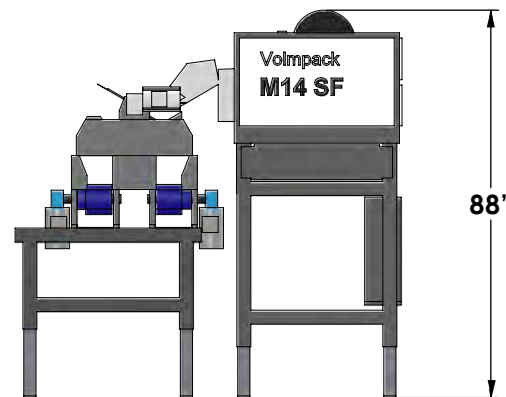
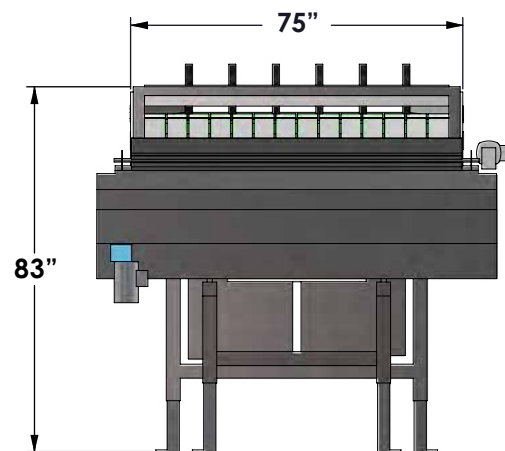
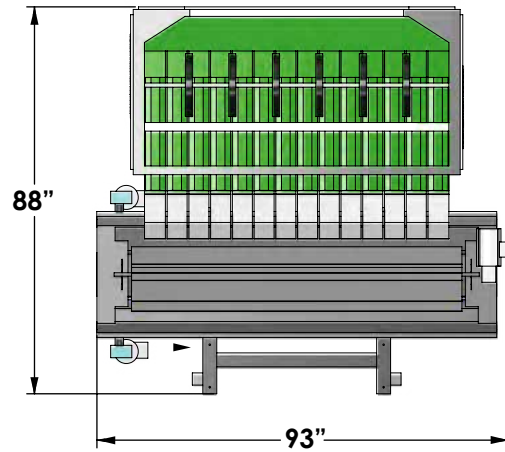
- Apples
- Tomatoes
- Plums

Custom testing available for any product.

* Depends on product, infeed, and discharge system.

** Actual air consumption will increase based on discharge system(s) chosen.

M14 SF



Measurements are rounded off to the nearest inch.