

## M10 Ca

The M10 Ca was specifically designed for long products such as carrots and parsnips. It is the go-to weigher for small and medium carrot packers. The M10 Ca also offers a packing range from 1 to 50 pounds at rates up to 25 bags per minute, which makes it a versatile addition to any carrot packing facility.

### FEATURES

- 10 long bucket scales to weigh long products effectively
- High speed computer scans the weights in all 10 buckets and chooses the best combination to provide the most accurate weight
- Strong, stable frame with vibration isolation
- Touchscreen computer
- Two computers for performing diagnostics or maintenance while also operating the weigher
- Operators can save packing style in the user-friendly program for quick and easy changeovers
- Optional belts instead of standard vibrating lanes
- Optional router for remote assistance
- All product contact points are either stainless steel or plastic

### DISCHARGE OPTIONS

- Stainless Steel, Single Discharge Belt
- Stainless Steel, Dual Discharge Belt
- Combination Bucket
- Intermediate Bucket

### PARTNER OPTIONS

- Single Wicket Bagger
- Rollstock Poly Bagger



### PACKAGE SIZE RANGE

1 to 50 pounds

### CAPACITY / RATE

- 1 pound up to 25 bags per minute\*
- 5 pounds up to 25 bags per minute\*
- 10 pounds up to 20 bags per minute\*
- 20 pounds up to 20 bags per minute\*
- 50 pounds up to 10 bags per minute\*

### AIR CONSUMPTION

5 CFM\*\*

### POWER

230 Volt, 3 Phase and Ground

### MOST COMMON PRODUCTS

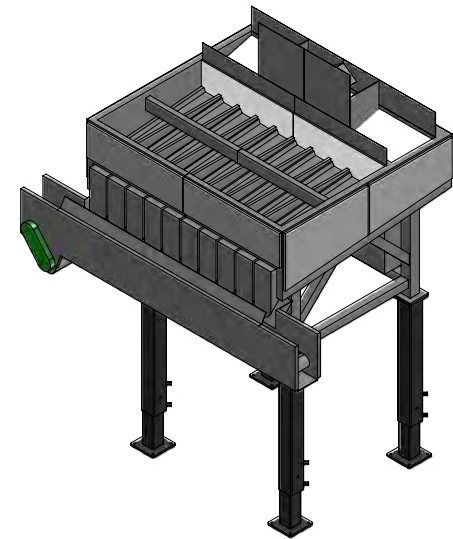
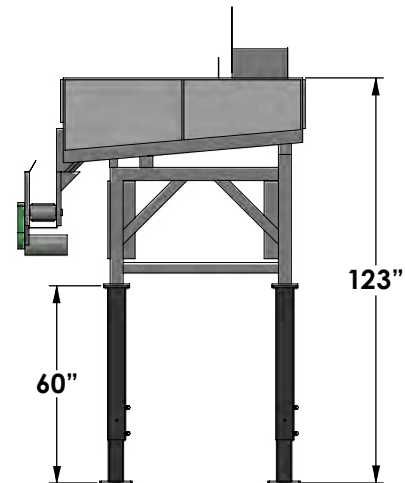
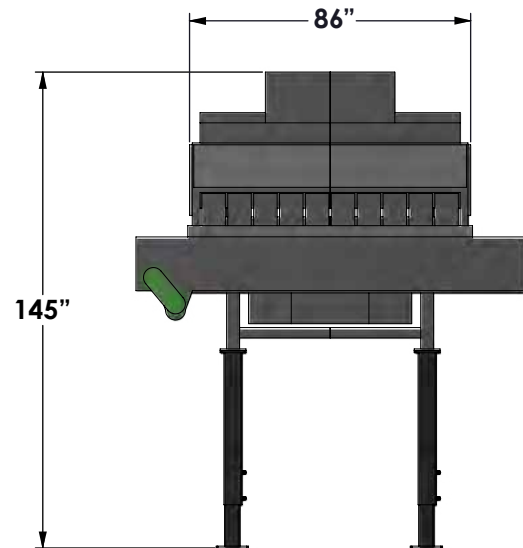
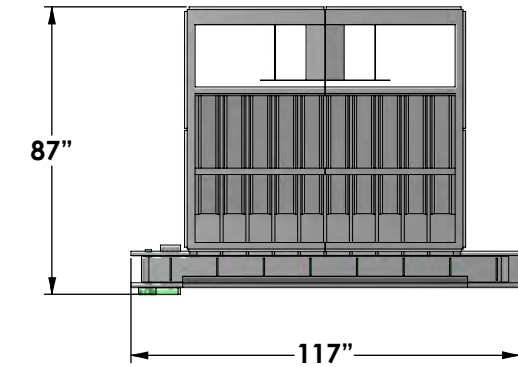
- Carrots
- Parsnips

Custom testing available for any product.

\* Depends on product, infeed, and discharge system.

\*\* Actual air consumption will increase based on discharge system(s) chosen.

# M10 CA



Measurements are rounded off to the nearest inch.